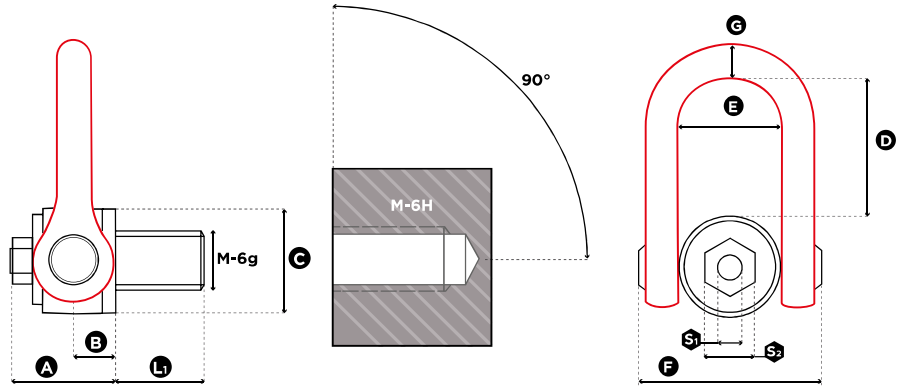


**GIGA.DSS**  
**GIGA.DSS+Q**

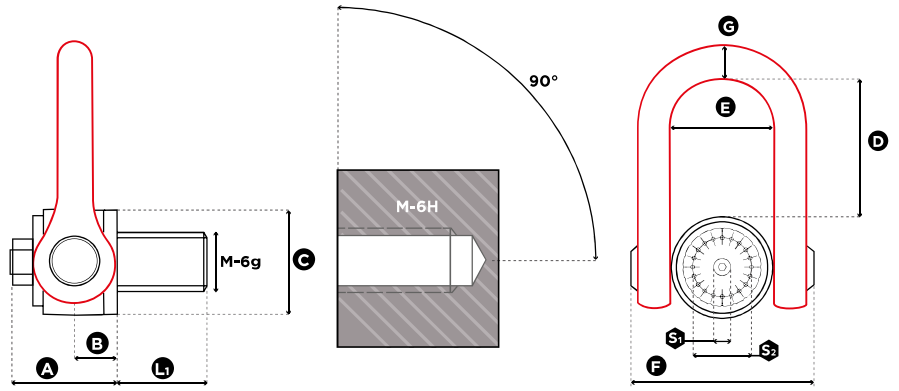
**GIGA DOUBLE SWIVEL SHACKLE**

**Gradup**



1 in = 25.4 mm

Reference	Diameter	SF 5:1 WLL (t)	Standard L1 (mm)	Torque (Nm)	S1 (mm)	S2 (mm)	A (mm)	B (mm)	C (mm)	D (mm)	E (mm)	F (mm)	G (mm)	Weight (kg)
<b>GIGA.DSS M 150 UP</b>	M 150 (x6)	<b>125,00</b>	228	2000	41	105	271	115	290	353	302	544	103	268



1 in = 25.4 mm

Reference	Diameter	SF 5:1 WLL (t)	Standard L1 (mm)	Torque (Nm)	S1 (mm)	S2 (mm)	A (mm)	B (mm)	C (mm)	D (mm)	E (mm)	F (mm)	G (mm)	Weight (kg)
<b>GIGA.DSS+Q M 150 UP</b>	M 150 (x6)	<b>125,00</b>	230	160	21	XZN N12 DIN 34824	267	115	290	353	302	544	103	268